



Conductive Suspended Electrodes

for conductive liquids



measuring
•
monitoring
•
analysing

NEH



- p_{\max} : 6 bar; t_{\max} : 150 °C
- Connection: G 1/2, G 1 1/2
- Electrode material: stainless steel, Hastelloy®, titanium
- Cable material: rubber hose or PTFE



NEH

KOBOLD companies worldwide:

ARGENTINA, AUSTRALIA, AUSTRIA, BELGIUM, BULGARIA, CANADA, CHILE, CHINA, COLOMBIA, CZECHIA, EGYPT, FRANCE, GERMANY, GREAT BRITAIN, HUNGARY, INDIA, INDONESIA, ITALY, MALAYSIA, MEXICO, NETHERLANDS, PERU, POLAND, REPUBLIC OF KOREA, ROMANIA, SINGAPORE, SPAIN, SWITZERLAND, TAIWAN, THAILAND, TUNISIA, TURKEY, USA, VIETNAM

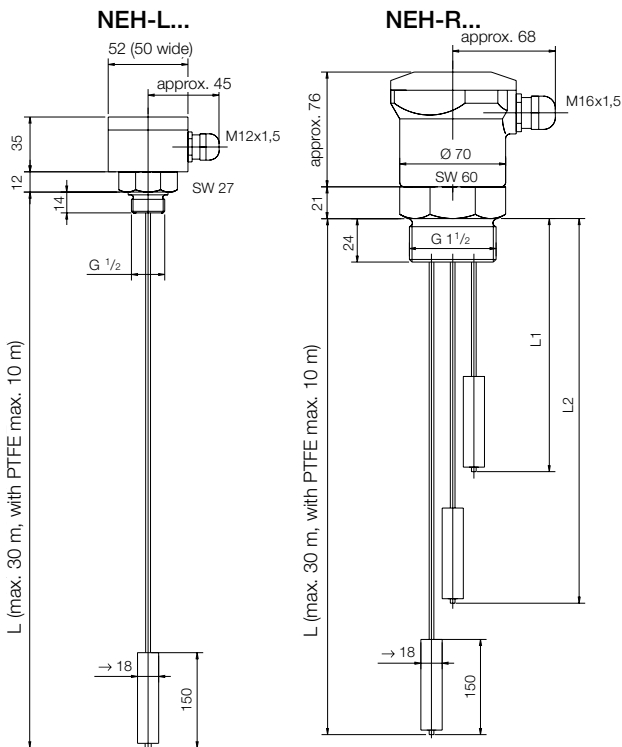
KOBOLD Messring GmbH
Nordring 22-24
D-65719 Hofheim/Ts.
Head Office:
+49(0)6192 299-0
+49(0)6192 23398
info.de@kobold.com
www.kobold.com

Description

KOBOLD limit switches model NEH are used for level monitoring and pump control of conductive liquids. The instruments operate on the conductive principle. A low a. c. voltage is applied between the conductive side of the tank or the earth electrode (longest electrode) and a switching point electrode. If the conductive medium touches the electrodes, a negligible alternating current flows across the electrodes and the conductive medium to the electrode relay. Suspended electrodes are ideally suited for installation when space is at a premium.

The relay amplifies the alternating current and operates a switching relay or a pump controller. An electrode relay of type NE-104 is required per switch point for signalling. For min./max. control two switching point electrodes must be connected to the relay. Relay NE-304 operates as two single relays (NE-104).

Dimensions [mm]



Technical Details

- Housing: polyamide or aluminium
- Connections: polypropylene or PTFE
G 1/2 (single electrode)
G 1 1/2 (2 - 6 fold electrode)
- Electrodes: stainless steel 1.4571, Hastelloy® or Titanium
- Cable insulation/ body of electrode: rubber hose according to HAR H07RN-F standard* /PVC PTFE/PTFE
- Cable diameter: 6 mm (rubber hose according to HAR H07RN-F standard*)
2 mm (PTFE)
- Max. length: rubber hose according to HAR H07RN-F standard* 30 m,
PTFE cable 10 m
- No. of electrodes: 1 ... 6
- Max. temperature: 60 °C (rubber hose according to HAR H07RN-F standard*)
150 °C (PTFE cable)

- Max. pressure: 6 bar
- Min. conductivity: 20 µS/cm
- Protection: IP 65

* Cable type approval according to EN 50525-2-21

Electrode relay

For technical details please refer to data sheet model NE.

Order Details for Electrode Relay

Description of electrode relay	Supply		
	Order No. 24 V _{AC}	Order No. 230 V _{AC}	Order No. 110 V _{AC}
1 limit signal or 1 min./max. control	NE-1042	NE-1040	NE-1041
2 limit signals or 2 min./max. controllers	NE-3042	NE-3040	NE-3041

Order Details (Example: NEH-R E N P 1)

Model	Description	Housing	Electrode material	Cable insulation/ body of electrode	Screwed fitting	Number of electrodes*
NEH-	Conductive suspended electrodes	R = polyamide	E = stainless steel	N = rubber hose/PVC	P = polypropylene	1 = 1 electrode 2 = 2 electrodes 3 = 3 electrodes 4 = 4 electrodes 5 = 5 electrodes 6 = 6 electrodes
		L = aluminium	H = Hastelloy® C	V = PTFE / PTFE	F = PTFE	
		O = without (with 2 m cable)	T = titanium			
			E = stainless steel			

* Specify the length of electrodes in writing