



Bypass Level Switch



measuring
•
monitoring
•
analysing

NBA-2/NBE-2



- p_{\max} : 10 bar; t_{\max} : 90 °C
- Connection: G $\frac{3}{8}$ female
R $\frac{1}{2}$ male
- Material: aluminium
and stainless steel

N



KOBOLD companies worldwide:

ARGENTINA, AUSTRALIA, AUSTRIA, BELGIUM, BULGARIA, CANADA, CHILE, CHINA, COLOMBIA, CZECHIA, EGYPT, FRANCE, GERMANY, GREAT BRITAIN, HUNGARY, INDIA, INDONESIA, ITALY, MALAYSIA, MEXICO, NETHERLANDS, PERU, POLAND, REPUBLIC OF KOREA, ROMANIA, SINGAPORE, SPAIN, SWITZERLAND, TAIWAN, THAILAND, TUNISIA, TURKEY, USA, VIETNAM

KOBOLD Messring GmbH
Nordring 22-24
D-65719 Hofheim/Ts.
Head Office:
+49(0)6192 299-0
+49(0)6192 23398
info.de@kobold.com
www.kobold.com

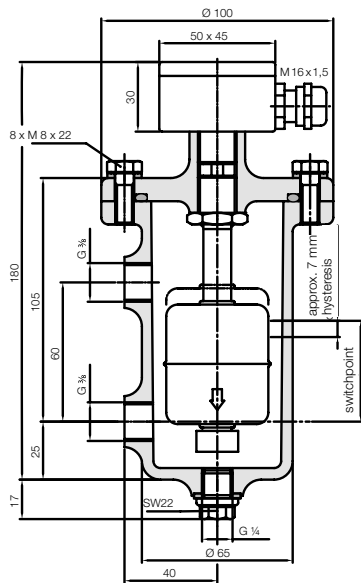
Description

KOBOLD bypass level switches of model NBA/NBE are used when, for example, level monitoring in the bypass is needed due to lack of space (with agitators) or at high temperatures. The instrument comprises a metal housing with internally mounted magnetic level switch and operates on the principle of communicating tubes.

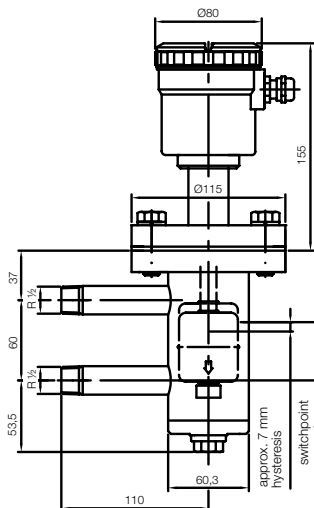
As soon as the housing of the bypass level switch is filled about half way with liquid, the float moves to the top and operates with the internal ring magnet a changeover contact fitted in the measuring tube. Solenoid valves, signal lamps or pumps are switched by the changeover contact by means of suitable electrical auxiliaries (relay, contactor relay).

Dimensions

NBA-2



NBE-2



Technical Advantages

- Lack of space in vessels
- Particularly suited for agitated and turbulent liquids e.g. for oil pans in engines, gear boxes or hydraulic units
- Simple installation on vessel side wall

Technical Details

Case material: aluminium (NBA), stainless steel (NBE)

Seal:
Lid: NBR (NBA), PTFE (NBE)
Drain screw: PTFE

Connections: G 3/8 female (NBA)
R 1/2 male (NBE)

Electrical connection box: aluminium 50 x 45 x 30 mm (NBA)
plastic Ø 80 mm (NBE)

Cable gland: M16 x 1,5
clamp range 5 - 9 mm

Measuring tube material: stainless steel 1.4571

Float material: stainless steel 1.4571

Medium temperature: -40 ... +90 °C

Ambient temperature: -25 ... +80 °C

Max. pressure: 10 bar

Density of liquid: min. 0,65 kg/dm³

Contact components: 1 changeover contact

Kontaktmaterial: Rhodium

Contact material: max. 60 VA

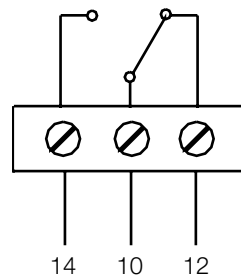
Switching capacity: max. 250 V_{AC}

Switching voltage: max. 1 A

Hysteresis: approx. 7 mm

Protection: IP 65

Electrical Connection



Order Details

Case material	Order number
aluminium	NBA-200 R 10
stainless steel	NBE-200 K 15