

LNZ



- $p_{\max}$ : 10 bar;  $t_{\max}$ : 100 °C  
150 °C for CIP process
- Process connection: G 1/2  
installation meets hygiene standards through installation system LZE
- Materials approved for handling of foodstuffs
- Independent of the conductivity of the medium
- Optimum flow geometry



Weld-in sleeve LZE



KOBOLD companies worldwide:

ARGENTINA, AUSTRALIA, AUSTRIA, BELGIUM, BULGARIA, CANADA, CHILE, CHINA, COLOMBIA, CZECHIA, EGYPT, FRANCE, GERMANY, GREAT BRITAIN, HUNGARY, INDIA, INDONESIA, ITALY, MALAYSIA, MEXICO, NETHERLANDS, PERU, POLAND, REPUBLIC OF KOREA, ROMANIA, SINGAPORE, SPAIN, SWITZERLAND, TAIWAN, THAILAND, TUNISIA, TURKEY, USA, VIETNAM

KOBOLD Messring GmbH  
 Nordring 22-24  
 D-65719 Hofheim/Ts.  
 Head Office:  
 +49(0)6192 299-0  
 +49(0)6192 23398  
 info.de@kobold.com  
 www.kobold.com



**Description**

The LNZ capacitive level switch is used for detecting levels of fill. The electric field penetrates several millimetres into the medium. The change in capacity caused by contact with the medium is measured and evaluated.

By using this principle of measurement it is also possible to detect non-conductive media. Installation in tanks is very straightforward regardless of position.

In combination with the KOBOLD LZE or LZE-R weld-in sleeves, the probe provides a measuring point that has no dead space and meets hygiene standards. Installation is virtually front-flush. This level switch is therefore very well suited for CIP/SIP cleaning.

Adapter sleeves are also available for different process connections so that the device can also be used in existing systems.

Because the electronics are already integrated no other evaluating instrument is necessary. The output signal (24 V<sub>DC</sub>) can therefore be transmitted direct to an SPS for further processing.

**Applications**

- Level monitoring, also in non-conductive media
- Not with deposits
- Safe level monitoring, even with foam

**Technical Details**

Measuring principle: capacitive  
 Process temperature: 0... 100°C  
 150°C max. 30 min. for CIP process  
 Ambient temperature: 0... 70°C  
 Working pressure: max. 10 bar

**Material**

• Head, thread supports: stainless steel 1.4404  
 • Coupler section: PEEK, stainless steel 1.4404  
 Process connection: G 1/2, hygienic weld-in sleeve LZE, LZE-R

Connection: threaded cable connection M16x1,5

terminal: 3-pole, (optional plug M12x1)  
 Function: full /empty report (determined via the polarity of the supply voltage)

Output: open collector, PNP, max. 200 mA

Switch delay (fixed): approx. 0,2 s

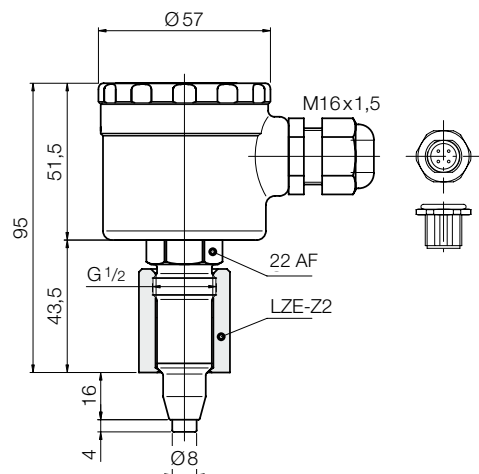
Power supply: 24 V<sub>DC</sub> ±20%, <10 mA without load

Protection: IP 67

Weight: approx. 0.5 kg

Dielectric constant of the medium: ε<sub>r</sub> >20

**Dimensions**



**Order Details** (Example: LNZ-12 G4 3PK)

Model	Material	Process connection	Electrical connection
LNZ-	12 = stainless steel	G4 = G 1/2	3PK = M16x1.5 cable gland 3PS = M12x1 plug